



# HT ONE

The smallest, certified boiler \* in Poland

**8kW**



\* Automatic boiler for burning pellets with power 8kW - 02.2018 r.

 **Heiztechnik®**



# HT ONE

The smallest, certified boiler \* in Poland [8kW]



**ONE** is the latest *Heiztechnik* boiler designed for burning pellets. The device is characterized by a compact design that provides small dimensions and intuitive operation. The **ONE** model series starts with a power of 8 kW, which places the device as the smallest fully certified boiler in Poland. Automatic cleaning system of the heat exchanger and furnace ensures long-lasting, maintenance-free operation.

**Combustion** is carried out via a drop-in burner and an exhaust gas fan, which makes it possible to connect the boiler to a low chimney.

**Boiler control** is carried out through a modern touch 5 „display, made in capacitive technology, provides service comparable to the latest electronic mobile devices. Advanced control algorithms make it easier for the user to control the basic functions of the boiler and the heating installation. In modulation mode (30 - 100%), the boiler adjusts its power to the energy needs of the facility.

**A wide range of power modulation** from 30 to 100%.



## pellet

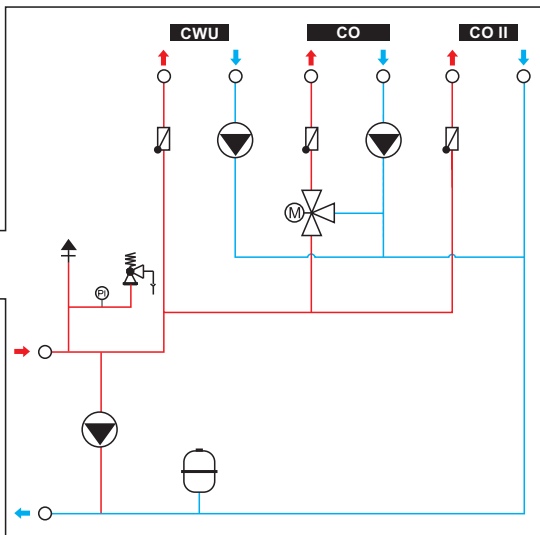
(6 - 8 mm) A1 class according to: EN 14961-2:2011 or DIN Plus

## ONE to:

1. ONE 8 - the smallest certified boiler \* in Poland, examined by the Institute of Power Engineering in Łódź in accordance with the requirements of the 303-5: 2012 standard, and the requirements of the European Union Regulation 2015/1189.
2. Efficiency above 92% while minimum 88.6% is required
3. Low exhaust emission.
4. Modern and aesthetic design.
5. Easy and simple to operate.
6. Automatic burner cleaning system through a controlled actuator.
7. A vertical tubular heat exchanger with an automatic cleaning system.
8. Low fuel consumption results from power modulation and high efficiency.

\* Automatic boiler for burning pellets with power 8kW - 02.2018 r.

**The boiler is equipped with a hydraulic system with return protection and a safety group**



- The boiler is equipped with a weather automation with 5" color touch screen.
- Advanced control algorithms make it easier for the user to control the basic functions of the boiler and provide modulated operation of the device (30 - 100%).
- The automation works in the weather system, controls the operation of the mixing valve, DHW system, pumps: heating pump, valve and return protection. Works with two room thermostats.

# ONE

## 8 - 20 kW



ONE 8

### pellet

(6 - 8 mm) A1 class according to:  
EN 14961-2:2011 or DIN Plus



5-year warranty on the tightness of the exchanger.



High thermal efficiency >90% thanks to autoregulation of the combustion process and effective heat reception



Compact design ensuring minimum boiler dimensions.



Chute burner with automatic cleaning, equipped with a igniter, photoelement, thermocouple.



A vertical tubular heat exchanger with an automatic cleaning system.



An exhaust fan that stabilizes the boiler and improves chimney draft.



Turbulators supporting heat exchange.



The boiler is adapted for operation in closed system, in accordance with current regulations.



The boiler is equipped with a **hydraulic system** consisting of: a DHW pump, a mixing valve pump, a mixing valve with an actuator, and a protection in the form of a diaphragm vessel and a safety valve.



The boiler is protected by a return protection pump with a return temperature sensor.



The **HT-tronic 900 Touch** weather controller with a touch color display. It controls the operation of 4 pumps and a mixing valve. Works with a remote control panel, thermostats and an internet module. Equipped with an autoregulation the **HT-Logic II**.



Autoregulation **HT-Logic II** is programmed to the power of the device, automatically selects the operating parameters and modulates the power of the burner depending on the temperature of the boiler, which reduces the amount of fuel consumed.

### ONE - Basic dimensions and specifications

Rated power	Power range	Min. chimney draft	Max. work temperature	Water capacity	Maximum operating pressure	Installation connection	Chimney connection	Boiler mass	Tank volume	Boiler width	Body depth	Body height	Height to chimney mid
kW	kW	Pa	°C	L	Bar	"	mm	kg	dm <sup>3</sup>	cm	cm	cm	cm
8	2 - 8	10	85	26	3	GZ 1"	80	188	80	57,5	66	125	10
11	4 - 11	12	85	32	3	GZ 1"	80	201	80	57,5	66	125	10
15	5 - 15	14	85	41	3	GZ 1"	80	232	130	70	76	140	10
20	6 - 20	16	85	60	3	GZ 1"	80	266	130	70	76	140	10

# ONE BASIC

8 - 20 kW

A+



ONE BASIC 8

pellet

(6 - 8 mm) A1 class according to:  
EN 14961-2:2011 or DIN Plus



5-year warranty on the tightness of the exchanger.



High thermal efficiency >90% thanks to autoregulation of the combustion process and effective heat reception



Compact design ensuring minimum boiler dimensions.



Chute burner with automatic cleaning, equipped with a igniter, photoelement, thermocouple.



A vertical tubular heat exchanger with a mechanical, manual cleaning system for the exchanger.



An exhaust fan that stabilizes the boiler and improves chimney draft.



Turbulators supporting heat exchange.



The boiler is adapted for operation in closed system, in accordance with current regulations.



Weather control **HT-tronic 900** with color display. It controls work 4 pumps and a mixing valve. Works with a remote control panel, thermostats and an internet module. Equipped with an autoregulation the **HT-Logic II**.



Autoregulation **HT-Logic II** is programmed to the power of the device, automatically selects the operating parameters and modulates the power of the burner depending on the temperature of the boiler, which reduces the amount of fuel consumed.



The boiler is protected by a return protection pump with a return temperature sensor.

## ONE BASIC - Basic dimensions and specifications

Rated power	Power range	Min. chimney draft	Max. work temperature	Water capacity	Maximum operating pressure	Installation connection	Chimney connection	Boiler mass	Tank volume	Boiler width	Body depth	Body height	Height to chimney mid
kW	kW	Pa	°C	L	Bar	"	mm	kg	dm <sup>3</sup>	cm	cm	cm	cm
8	2 - 8	10	85	26	3	GZ 1"	80	178	80	57,5	66	125	10
11	4 - 11	12	85	32	3	GZ 1"	80	191	80	57,5	66	125	10
15	5 - 15	14	85	41	3	GZ 1"	80	222	130	70	76	140	10
20	6 - 20	16	85	60	3	GZ 1"	80	256	130	70	76	140	10



#### TECHNICAL AND TRADE CONSULTING

North - Eastern Poland +48 571 204 005  
South - Western Poland +48 514 111 976  
North - Western Poland +48 784 051 572  
South - Eastern Poland +48 784 051 574  
Central Poland +48 664 030 478

Coordinator of investment projects

+48 571 338 726

#### TECHNICAL CUSTOMER SERVICE

+48 664 784 500

+48 664 784 600

+48 664 784 700



Przedsiębiorstwo Produkcyjne Heiztechnik spółka z ograniczoną odpowiedzialnością Sp. k.

ul. Drogowców 7 • 83-250 Skarszewy • tel.: + 48 58 588 28 70, +48 58 560 85 57 • fax: + 48 58 588 08 21

[www.heiztechnik.pl](http://www.heiztechnik.pl) • e-mail: [biuro@heiztechnik.pl](mailto:biuro@heiztechnik.pl)

NIP 592-214-17-34 • REGON 220362773 • KRS 0000334644