

MaxPell ZB GL

60 - 120 kW



MaxPell ZB GL 120 kW

with pneumatic cleaning system for heat exchanger, burner and automatic ash removal system



Fuel

Woodchips



Three-pass boiler equipped with a horizontal tubular heat exchanger with flue gas swirlers supporting high heat transfer efficiency.



2-year warranty for the tightness of the exchanger with the possibility of extending up to 5 years, in accordance with the conditions contained in the warranty card.



Automatic burner for **biomass** combustion with a slag scraper, equipped with a lighter and an igniter fuel feeder.



Weather control **HT-tronic 900** with color display. It controls work 4 pumps and a mixing valve.



Combustion process optimizer **HT tronic OPS Lambda**



The boiler is adapted for operation in closed system, in accordance with current regulations.

Burner

Burner with automatic slag scraper - basic equipment
Pneumatic system for burner cleaning - optional execution

Control

HT-tronic® 900
HT-tronic® 900 Touch - option
HT-tronic OPS Lambda Combustion process optimizer with Lambda probe

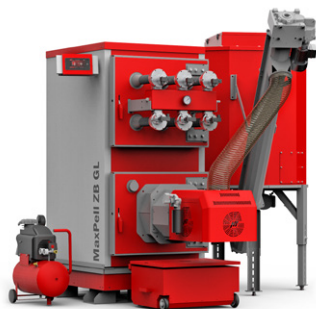
Expanding modules for automation

HT-tronic M-Z2 Valve module
HT-tronic M-BC Module of buffer and circulation
HT-tronic Connect Web module - access by web browser or mobile application

Additional equipment / Execution option

Option of execution: maximum working pressure 2.5 - 3 Bar
Additional fuel feed unit
Spring selector
The automatic ash removal system
Pneumatic system for exchanger cleaning
Pneumatic system for burner cleaning
Cooling coil
Enlarged tank or extension

MaxPell ZB GL • 60 - 120 kW

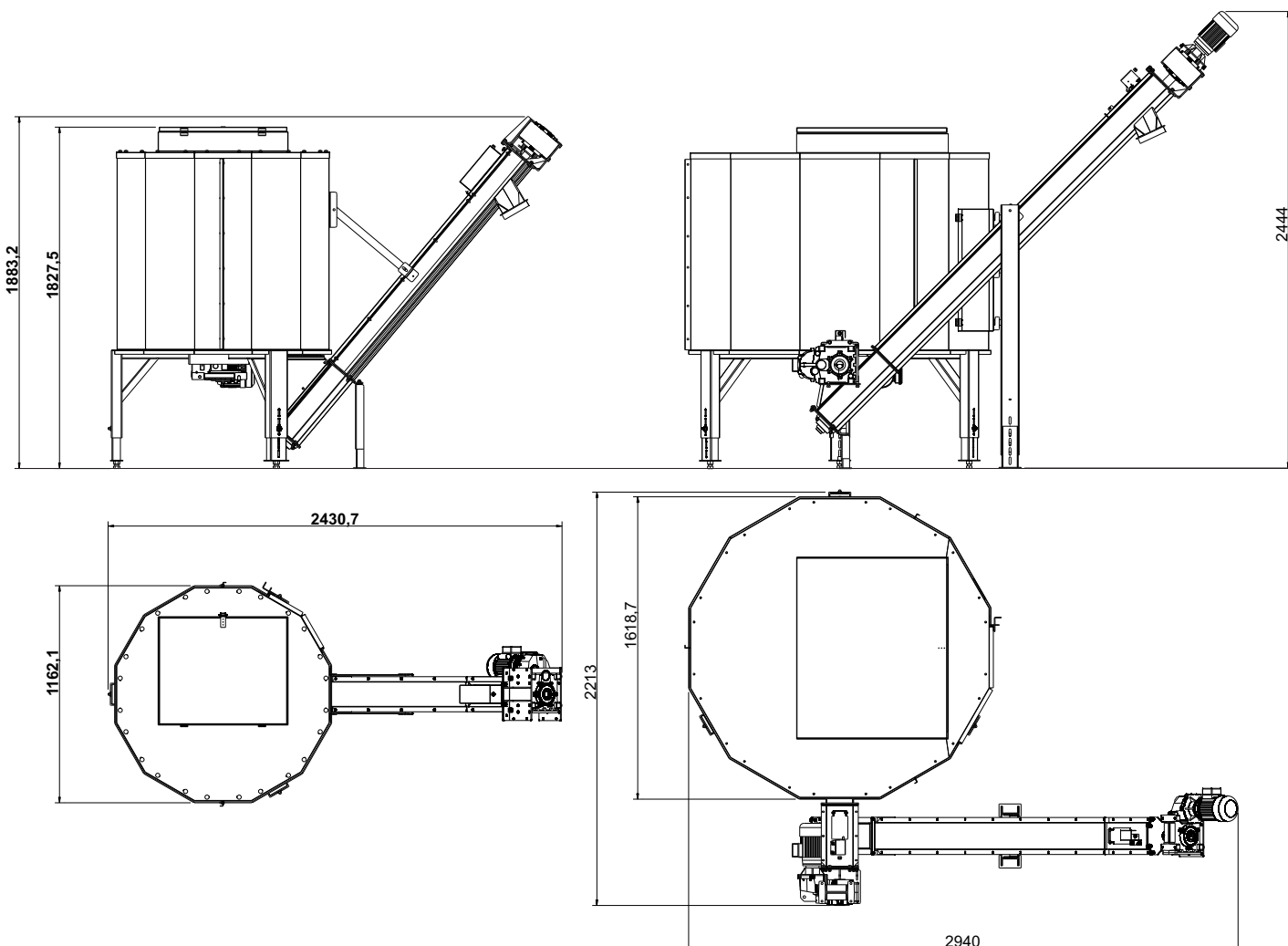


Basic dimensions and specifications

Rated power	kW	60	90	120
Power range	kW	20 - 60	27 - 90	36 - 120
Min. chimney draft	Pa	32	33	35
Max. work temperature	°C	85	85	85
Water capacity	l	155	250	490
Maximum operating pressure	Bar	2	2	2
Installation connection	"	GZ 2	GZ 2	GZ 2 ½
Chimney connection (inner diameter)	mm	200	200	200
Boiler mass	kg	510	886	1352
Tank volume	m ³	1	1	1
Boiler width	cm	69	84	84
Body depth with flue gas exhaust	cm	104	125	175
Body height	cm	140	149	149
Height of the ash removal module	cm	-	35	35
Hight to chimney mid	cm	108	122	122
Return spigot height	cm	32	30,5	30,5

zbiornik 1000m³

zbiornik 2000m³



The dimensions given may vary from actual dimensions to 2%. Other detailed dimensions are available on the website. In order to improve the product, Heiztechnik reserves the law to change specifications and equipment. The above prospectus does not constitute an offer within the meaning of commercial law.